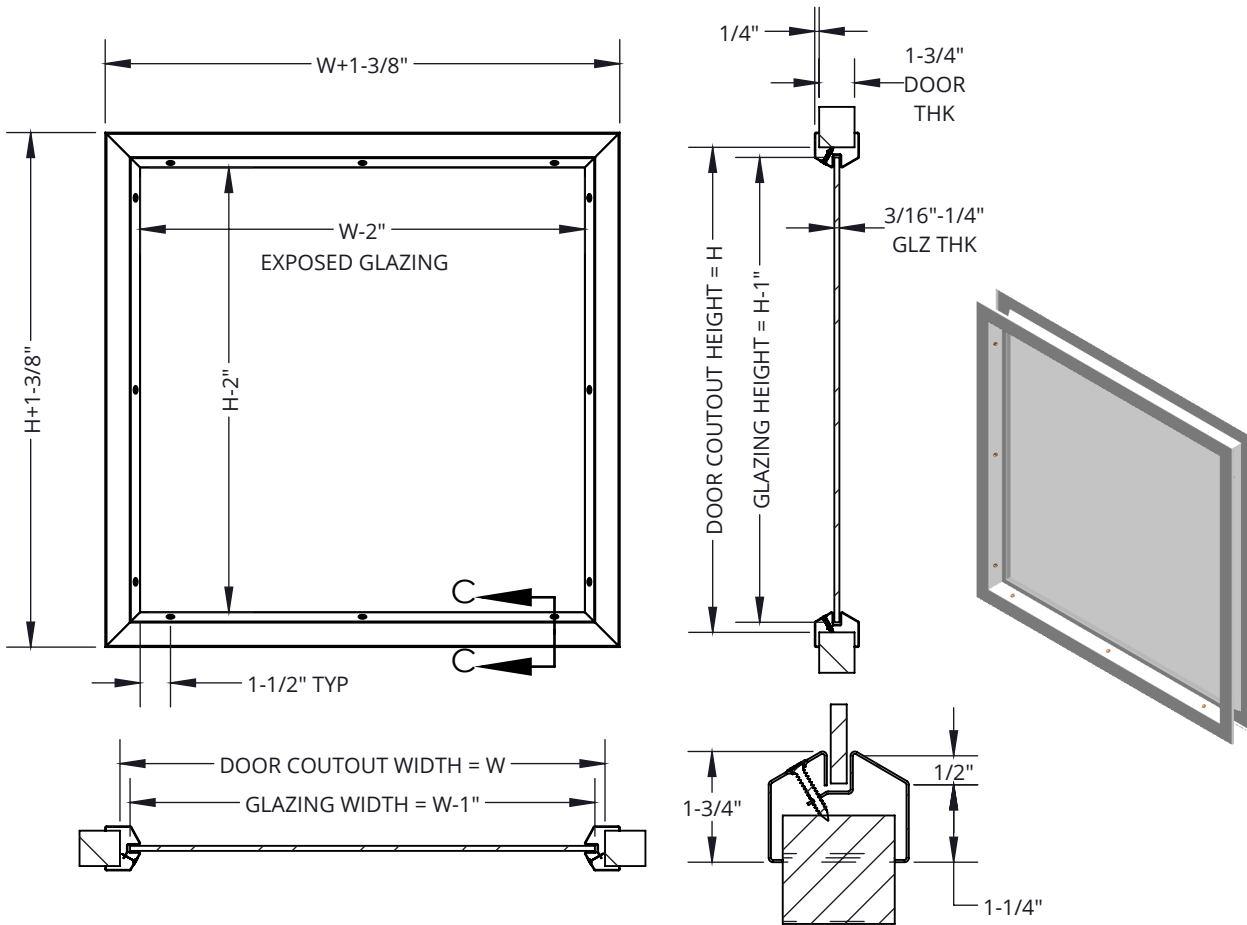


UP TO 3 HOURS

VISION LITE - EZLINE™ SERIES - VLFEZ

Self-attaching beveled vision lite with single side fasteners for doors. VLFEZ models are for standard door and glazing thicknesses.



SPECIFICATIONS

Application:

For standard door thickness 1-3/4\" and standard glazing thickness 3/16\" - 1/4\".
 For standard door thickness 1-3/4\" and non-standard glazing thickness of 5/16\" - 1-1/16\" see VLFEZIG.
 For non-standard door thickness 1\" - 3\" and non-standard glazing thickness of 3/16\" - 1-1/16\" see VLFEZIG.

Frame Material: 20 gauge cold rolled steel

Standard Finish: Mineral bronze powder coat

Fasteners: #8 x 1\" Flathead Phillips screws to match finish
Size:

Minimum: 4\" x 4\"

Maximum: Maximum size fire-rating is determined by glass listing (for doors) and door manufacturer's listing
 Door Cutout = Order Size (W x H)

Glazing Size = Order Size minus 1\" (W - 1\" x H - 1\")

Exposed Glazing = Order Size minus 2\" (W - 2\" x H - 2\")

FIRE RATINGS:

UL listed and labeled/stamped to ANSI/UL 10B, ANSI/UL 10C and CAN/ULC S104 when properly installed in rated and approved door. Ratings up to 180 minutes can be achieved depending on exposed glazing size and area.

OPTIONS:

Materials: 20 gauge 304 Stainless steel, galvaneal steel, zinc-plated steel

Mullions: 1\" x 5/8\" welded-on, formed mullions for a divided lite look that uses one (1) pane of glass

PAKS: Vision lite, glazing & glazing tape combined

Compatible Air Louvers Glazing:

Fire-Rated: PPF, FL, FGL, WS

Non-Rated: TEMP

Other: Torx screws

TAPE WHEN SOLD SEPARATELY

| Qty | Model | Description Dimensions |
|-----|-------------------|---|
| | GTAPE 200B | Standard glazing tape 1/16\" thick x 3/8\" wide x 200 ft |
| | FGS3000S90 | Intumescent tape for wired glass 5/64\" thick x 7/16\" wide x 16 ft |

Refer to glazing tape submittal for more information

*Interpretation of fire and building codes may vary.
 Consult with the local authority having jurisdiction (AHJ) to determine appropriate standards.*



AIR LOUVERS

9702 Newton Avenue S, Bloomington, MN 55431

800-554-6077

sales@activarcpg.com

www.activarcpg.com

| | | | |
|--------------|-------------|--------------|--|
| Distributor: | | Project: | |
| Contractor: | | Approved By: | |
| Date: | | Architect: | |
| Scale: N/A | Page 1 of 2 | Item#: | |

VLFEZ: COMMON SIZES

| QTY | MODEL/ COLOR | ROUGH OPENING | WT (LBS) |
|---------------|-----------------|------------------|-------------|
| BRONZE | | | |
| | VLFEZ 1010B | 10" x 10" | 3 |
| | VLFEZ 1212B | 12" x 12" | 3 |
| | VLFEZ 0535B | 5" x 35" | 5 |
| | VLFEZ 0627B | 6" x 27" | 4 |
| | VLFEZ 0722B | 7" x 22" | 4 |
| | VLFEZ 0832B | 8" x 32" | 5 |
| | VLFEZ 2424B | 24" x 24" | 7 |
| | VLFEZ 2430B | 24" x 30" | 9 |
| | VLFEZ 2432B | 24" x 32" | 9 |
| | VLFEZ 2436B | 24" x 36" | 10 |
| | VLFEZ 2464B | 24" x 64" | 17 |
| GRAY | | | |
| | VLFEZ 1212G | 12" x 12" | 3 |
| | VLFEZ 0722G | 7" x 22" | 4 |

VLFEZ PAKS: VISION LITE + GLAZING + TAPE APPLIED

| QTY | MODEL/ COLOR | ROUGH OPENING | WT (LBS) | FIRE- RATING* | GLAZING |
|---------------|----------------------|------------------|-------------|-------------------|------------|
| BRONZE | | | | | |
| | VLFEZ 0627B WS PAK | 6" x 27" | 9 | 90 | Wireshield |
| | VLFEZ 0722B WS PAK | 7" x 22" | 9 | | |
| | VLFEZ 1212B WS PAK | 12" x 12" | 7 | | |
| | VLFEZ 2424B WS PAK | 24" x 24" | 23 | 45 | |
| | VLFEZ 2430B WS PAK | 24" x 30" | 28 | | |
| | VLFEZ 0627B TEMP PAK | 6" x 27" | 8 | Non Fire-Rated | Tempered |
| | VLFEZ 0722B TEMP PAK | 7" x 22" | 7 | | |
| | VLFEZ 0832B TEMP PAK | 8" x 32" | 10 | | |
| | VLFEZ 1212B TEMP PAK | 12" x 12" | 6 | | |
| | VLFEZ 2424B TEMP PAK | 24" x 24" | 17 | | |
| | VLFEZ 2430B TEMP PAK | 24" x 30" | 22 | | |
| | VLFEZ 0627B PPF PAK | 6" x 27" | 8 | | |
| | VLFEZ 0722B PPF PAK | 7" x 22" | 7 | | |
| | VLFEZ1212B PPF PAK | 12" x 12" | 6 | | |
| | VLFEZ 2430B PPF PAK | 24" x 30" | 23 | | |

MADE-TO-ORDER EZLINE™ VISION LITE - EXAMPLE: VLFEZIG 2432B 01

| QTY | MODEL | MATERIAL | MULLIONS OPTIONS | WIDTH | HEIGHT | FINISH | PAK GLAZING OPTIONS | OPTIONS |
|-----|-------|-----------------------------|----------------------|-------|--------|-------------------------------|---|---|
| | VLFEZ | Cold Rolled Steel - Std. | Columns (choose one) | | | B Bronze - Std. | None | None |
| | | S Stainless Steel | None | | | AB AMS Beige | FL PAK 3/16" Firelite NT | LL Lead Line* |
| | | G Galvannealed Steel | A (1 Column) | | | SB SC Beige | PPF PAK 3/16" Pyran Platinum F | -T Torx Screw |
| | | E Zinc-Plated Steel | B (2 Column) | | | S Sand | FGL PAK 1/4" Fireglass 20 | *See separate VLFEZIG Lead Line submittal |
| | | | C (3 Column) | | | G Gray | TEMP PAK 1/4" Non-Rated Tempered | |
| | | | Rows (choose one) | | | SI Silver | WS PAK 1/4" WireShield | |
| | | | None | | | W White | Other PAK - specify below: | |
| | | | 2 (2 Rows) | | | BK Black | | |
| | | | 3 (3 Rows) | | | FB Flat Black | | |
| | | | 4 (4 Rows) | | | BA Brass | | |
| | | | 5 (5 Rows) | | | Other - specify below: | | |

MULLIONS

| | 2 | 3 | 4 | 5 |
|----------|---------------------------|---------------------------|---------------------------|----------------------------|
| A | A2 Min: 6" x 6" | A3 Min: 6" x 7" | A4 Min: 6" x 9" | A5 Min: 6" x 11" |
| B | B2 Min: 6" x 6" | B3 Min: 6" x 7" | B4 Min: 6" x 9" | B5 Min: 6" x 11" |
| C | -- | C3 Min: 7" x 7" | C4 Min: 7" x 9" | C5 Min: 7" x 11" |

MULLION OPTIONS

| |
|----------------------------|
| 1" x 5/8" Standard Mullion |
| 1/2" x 1/2" Optional Size |
| 1/2" x 3/4" Optional Size |

Min. Lite Size for Mullions varies with columns and rows, see chart.



VLFEZB2 1212B



VLFEZ 1214B PPF PAK