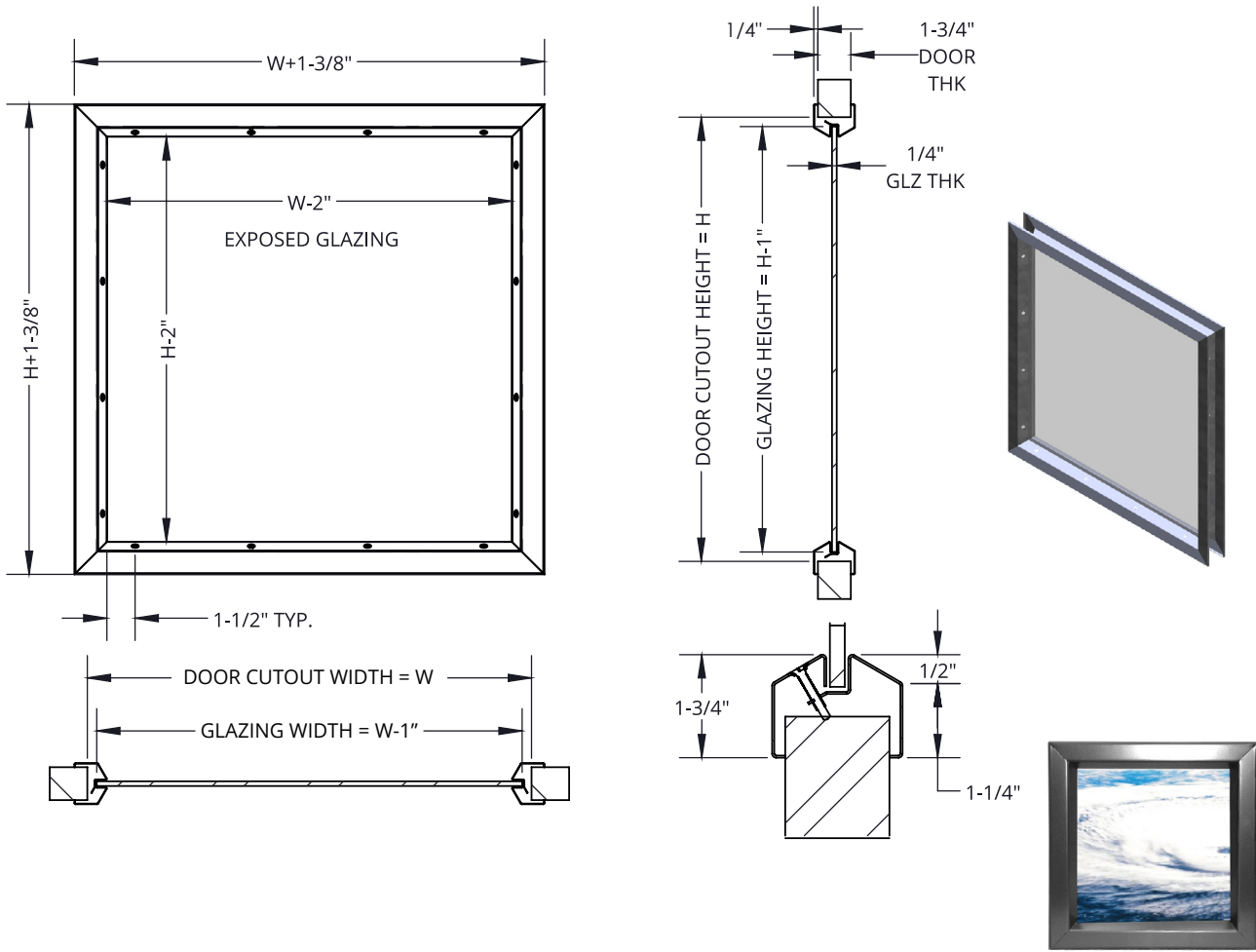


**VISION LITE - HURRICANE EZLINE PAK: VLFEZHRC PAK™**

The Hurricane EZLine Series features a beveled vision lite and is recommended for applications requiring safety from wind borne debris. It meets Florida Building Code Approval for installation in high wind velocity and hurricane zones.



**SPECIFICATIONS**

**Application:** For door thickness  $1\frac{3}{4}"$  includes  $\frac{1}{4}"$  Lexan® polycarbonate glazing; Glazing and caulking included with vision lite

**Frame Material:** 20 gauge galvaneal steel

**Standard Finish:** Mineral bronze powder coat

**Fasteners:** #8 x 1" Flathead Phillips screws to match finish

**Glazing:**  $\frac{1}{4}"$  Lexan polycarbonate

**Caulking:** Dow Corning 995® silicone structural sealant included with vision lite pak for installation

**Size:**

**Minimum:** 4" x 4"

**Maximum:**  $23\frac{5}{8}"$  x  $61\frac{3}{8}"$

Door Cutout = Order Size (W x H)

Glazing Size = Order Size minus 1" (W - 1" x H - 1")

Exposed Glazing = Order Size minus 2" (W - 2" x H - 2")

**HURRICANE RATINGS:**

Severe Windstorm Testing:

Intertek Warnock Hersey listed and labeled to ASTM E330, E1886, E1996, ANSI 250.13, TAS 201, TAS 202, TAS 203.

Design pressure +/- 55 psf, impact resistance 350 ft-lbs, missile D, wind zone 4.

Florida Product Approval file #FL 13187

**OPTIONS:**

**Finish:** AMS Beige (AB), SC Beige (SB), Sand (S), Gray (G), Silver (SI), White (W), Black (BK), Flat Black (FB), Brass (BA), Other

*Interpretation of fire and building codes may vary.*

*Consult with the local authority having jurisdiction (AHJ) to determine appropriate standards.*


**VLFEZHRC PAK: COMMON SIZES**

QTY	MODEL/ COLOR	ROUGH OPENING W X H	COLOR	WEIGHT LBS
	VLFEZHRC 0520B	5" x 20"	Bronze	6
	VLFEZHRC 0627B	6" x 27"		8
	VLFEZHRC 0722B	7" x 22"		7
	VLFEZHRC 1212B	12" x 12"		6
	VLFEZHRC OTHER PAK	x		



**VLFEZHRC 1212G PAK**

It is the responsibility of the customer to communicate specifications and product performance requirements that are needed for their application. This document is intended to convey potential product configurations and offerings. It is not to be used to imply or represent a specification or rating, of finished products shipped. Detailed, specific submittals can be created upon request. It is the responsibility of the customer to specify product accordingly to comply with local laws, codes, and ordinances.

 <p><b>AIR LOUVERS</b></p> <p>9702 Newton Avenue S, Bloomington, MN 55431</p>	<p>800-554-6077</p> <p>sales@activarcpg.com</p> <p>www.activarcpg.com</p>	Distributor:		Project:	
		Contractor:		Approved By:	
		Date:		Architect:	
		Scale: N/A		Item#:	