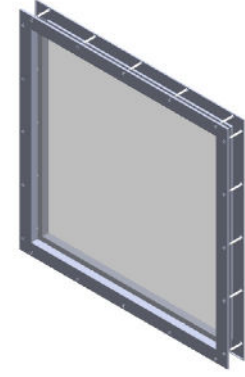
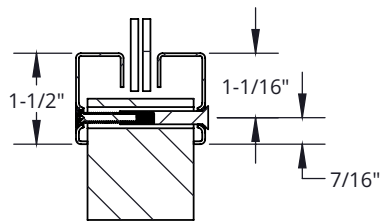
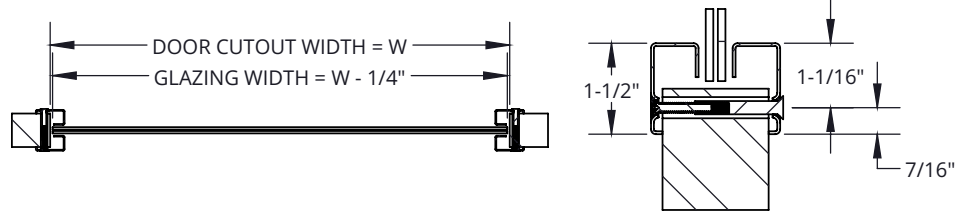
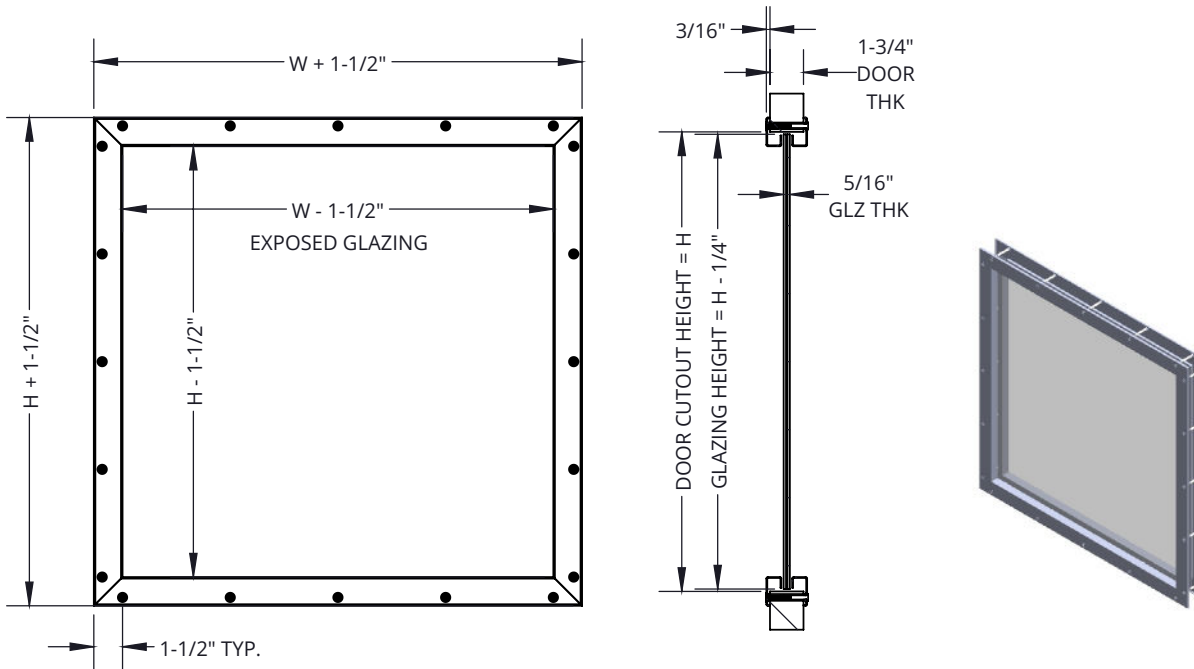


VISION LITE - HURRICANE THRUBOLT PAK: VLFIGHRC PAK™

The Hurricane Thrubolt Series features a multi-purpose square profile vision lite. It is recommended for applications requiring safety from wind-bourne debris and meets Florida Building Code Approval for installation in high wind velocity and hurricane zones.



VLFIGHRC 2424G PAK

SPECIFICATIONS

Application: For door thickness 1-3/4" includes 5/16" thick laminated glazing. Glazing with tape and caulking included with vision lite.

Frame Material: 18 gauge galvalneal steel

Standard Finish: Mineral bronze powder coat

Fasteners: #8 x 32" Phillips head thru-bolts with blank head on one side to match finish. Neoprene "O" rings provided each side.

Glazing: Glazing with Tape: 5/16" Hurricane Laminated; 1/8" Heat Strengthened - 0.075" Interlayer - 1/8" Heat Strengthened with 1/8" x 3/8" sponge rubber EPDM glazing tape installed on both sides.

Caulking: Dow Corning 995® silicone structural sealant included with vision lite pak for installation

Size:

Minimum: 4" x 20-1/4"

Maximum: 30" x 60-1/2"

Door Cutout = Order Size (W x H)

Glazing Size = Order Size minus 1/4" (W - 1/4" x H - 1/4")

Exposed Glazing = Order Size minus 1-1/2" (W - 1-1/2" x H - 1-1/2")

HURRICANE RATINGS:

Severe Windstorm Testing:

Intertek Warnock Hersey listed and labeled to ASTM E330, E1886, E1996, ANSI 250.13.

Design pressure +/- 70 psf, impact resistance 350 ft-lbs, missile D, wind zone 4.

Florida Product Approval file #FL 13187

OPTIONS:

Finish: AMS Beige (AB), SC Beige (SB), Sand (S), Gray (G), Silver (SI), White (W), Black (BK), Flat Black (FB), Brass (BA), Other

Interpretation of fire and building codes may vary.

Consult with the local authority having jurisdiction (AHJ) to determine appropriate standards.

VLFIGHRC PAK: COMMON SIZES

QTY	MODEL/ COLOR	ROUGH OPENING W X H	COLOR	WEIGHT LBS
	VLFIGHRC 0520B	5" x 20"	Bronze	8
	VLFIGHRC 0627B	6" x 27"		12
	VLFIGHRC 0722B	7" x 22"		11
	VLFIGHRC 2230B	22" x 30"		15
	VLFIGHRC OTHER PAK	x		

It is the responsibility of the customer to communicate specifications and product performance requirements that are needed for their application. This document is intended to convey potential product configurations and offerings. It is not to be used to imply or represent a specification or rating, of finished products shipped. Detailed, specific submittals can be created upon request. It is the responsibility of the customer to specify product accordingly to comply with local laws, codes, and ordinances.



AIR LOUVERS

9702 Newton Avenue S, Bloomington, MN 55431

800-554-6077

sales@activarcpg.com

www.activarcpg.com

Distributor:

Contractor:

Date:

Scale: N/A

Project:

Approved By:

Architect:

Item#:

Page 1 of 1