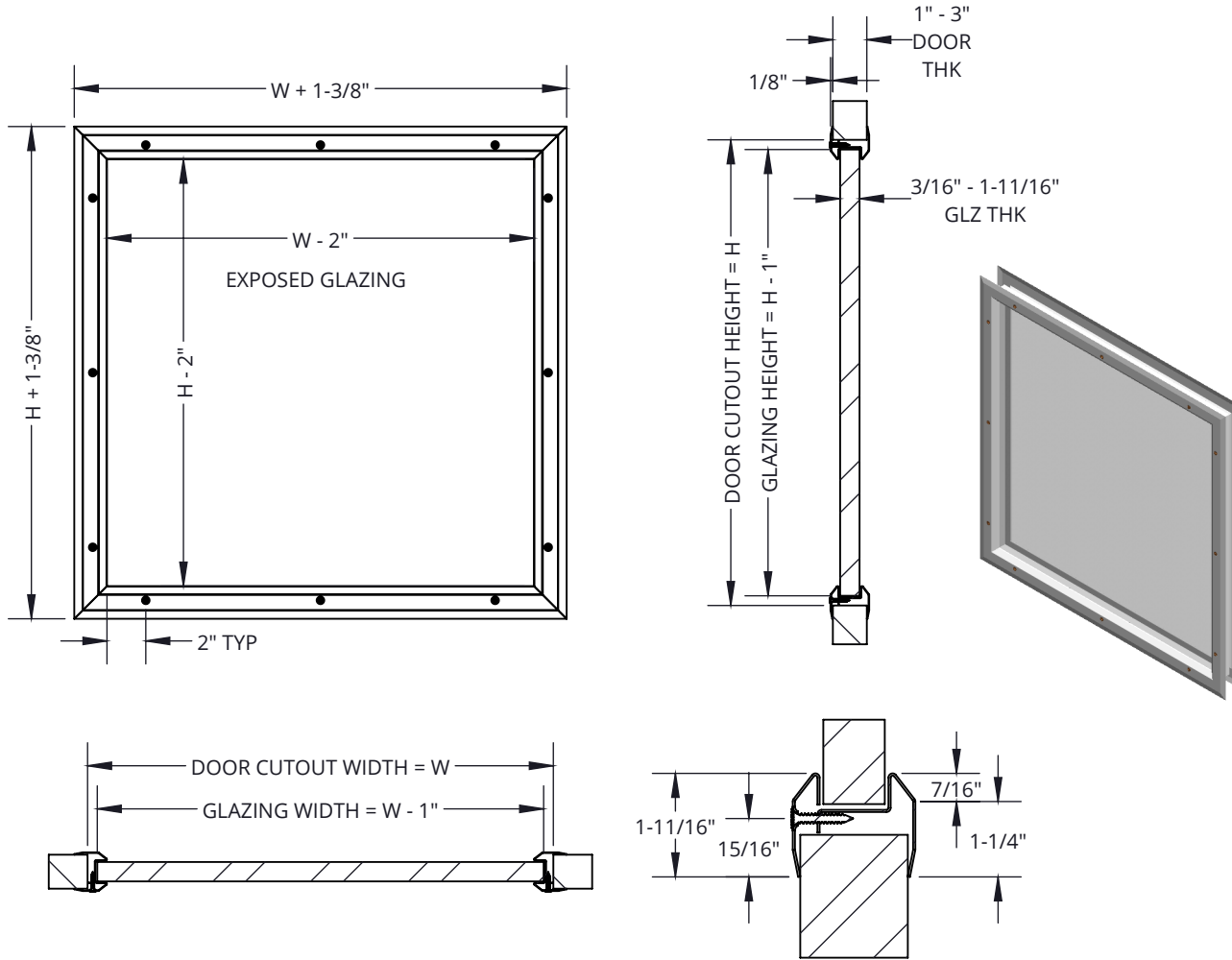


UP TO 3 HOURS*

VISION LITE - SLIMLINE™ SERIES FOR IGU'S - VSIG

Low profile, Slimline IG vision lites mount flush to the door with self-attaching, single-sided fasteners that provides a clean, aesthetic look. VSIG models are for non-standard door and glazing thickness.



SPECIFICATIONS:

Application:

For standard door thickness: 1-3/4" and non-standard glazing thickness 3/8" to 1-11/16".

For non-standard door thickness: 1"-3" and glazing thickness 3/16" - 1-11/16".

Must specify both on Made-to-Order table.

For standard door thickness of 1-3/4" and standard glazing thickness of 3/16" - 5/16" see VSLH

Frame Material: 20 gauge cold rolled steel

Standard Finish: Mineral bronze powder coat

Fasteners: #8A Flathead Phillips SMS to match finish

Size:

Minimum: 4" x 4"

Maximum: Maximum size fire-rating is determined by glass listing (for doors) and door manufacturer's listing
Door Cutout = Order Size (W x H)

Glazing Size = Order Size minus 1" (W - 1" x H - 1")

Exposed Glazing = Order Size minus 2" (W - 2" x H - 2")

Protrusion: For glazing thickness that is within 3/4" of the door thickness or thicker, frame will not be flush, Protrusion ranges from .11 - .84. See chart on page 2

FIRE RATINGS:

UL listed and labeled/stamped to ANSI/UL 10B, ANSI/UL 10C and CAN/ULC S104 when properly installed in rated and approved door. Ratings up to 180 minutes can be achieved depending on exposed glazing size and area.

OPTIONS:

Materials: 20 gauge 304 Stainless steel, galvaneal steel, zinc-plated steel

Mullions: For 1-3/4" Doors Only - 1" x 5/8" welded-on, formed mullions for a divided lite look that uses one (1) pane of glass

PAKs: Vision lite, glazing & glazing tape combined

Compatible Air Louvers Glazing:

Fire-Rated: PPF, FL, FLP, FGL, WS, PPL

Non-Rated: TEMP, ARM 1, ARM2, ARM3, BRG1

Other: Torx screws

TAPE WHEN SOLD SEPARATELY

Qty	Model	Description Dimensions
	GTAPE 200B	Standard glazing tape 1/16" 1/16" thick x 3/8" wide x 200 ft
	FGS3000S90	Intumescent tape for wired glass 5/64" thick x 7/16" wide x 16 ft

Refer to glazing tape submittal for more information

Interpretation of fire and building codes may vary. Consult with the local authority having jurisdiction (AHJ) to determine appropriate standards.



AIR LOUVERS

9702 Newton Avenue S, Bloomington, MN 55431

800-554-6077

sales@activarcpg.com

www.activarcpg.com

Distributor:

Contractor:

Date:

Scale: N/A

Project:

Approved By:

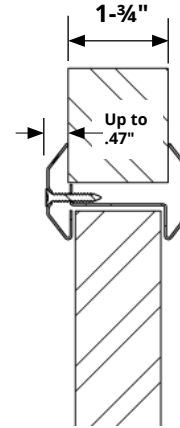
Architect:

Item#:

UP TO 3 HOURS
VISION LITE - SLIMLINE SERIES FOR IGUS - VSIG

VSIG: COMMON SIZES

QTY	MODEL/ COLOR	ROUGH OPENING	WT (LBS)	GLAZING THICKNESS	DOOR DEPTH
BRONZE					
	VSIG 1212B 01	12" x 12"	5	1"	1-3/4"
	VSIG 0535B 01	5" x 35"	7		
	VSIG 0624B 01	6" x 24"	6		
	VSIG 0627B 01	6" x 27"	6		
	VSIG 0722B 01	7" x 22"	6		
	VSIG 2430B 01	24" x 30"	11		
	VSIG 2436B 01	24" x 36"	12		
	VSIG 2460B 01	24" x 60"	18		



Protrusion

DOOR THICKNESS	GLAZING THICKNESS	GLAZING AVAILABLE	PROTRUSION
1"	1/2"	LAMI, INSU	.25
	5/8"	INSU	.31
	1"	INSU	.5
	1-3/16"	BRG1	.59
	1-5/16"	ARM3	.65
	1-1/2"	--	.75
1-3/4"	1-11/16"	--	.84
	1-3/16"	BRG1	.22
	1-5/16"	ARM3	.28
	1-1/2"	--	.37
	1-11/16"	--	.47

MADE-TO-ORDER SLIMLINE™ VISION LITE FOR IGUS - EXAMPLE: VSIGA3 2462B PPL PAK

QTY	MODEL	MATERIAL	MULLIONS OPTIONS	WIDTH	HEIGHT	FINISH	GLAZING THICKNESS*	DOOR THICKNESS	PAK GLAZING OPTIONS	OPTIONS
	VSIG	Cold Rolled Steel - Std.	None			B Bronze - Std.	516 5/16"	1-3/4" Std.	None	None
		S Stainless Steel	A (1 Column)	2 (2 Rows)		AB AMS Beige	38 3/8"	0138D 1-3/8"	FL PAK 3/16" Firelite NT	-T Torx Screw
		G Galvannealed Steel	B (2 Column)	3 (3 Rows)		SB SC Beige	12 1/2"	01D 1"	PPF PAK 3/16" Pyran Platinum F	
		E Zinc-Plated Steel	C (3 Column)	4 (4 Rows)		S Sand	01 1"	02D 2"	FGL PAK 1/4" Fireglass 20	
				5 (5 Rows)		G Gray	Other Specify size:	Other Specify size:	TEMP PAK 1/4" Non-Rated Tempered	
						SI Silver			WS PAK 1/4" WireShield	
						W White			FLP PAK 5/16" Firelite Plus	
						BK Black			PPL PAK 3/8" Pyran Platinum L	
						FB Flat Black			ARM1 PAK 13/16" ArmrShield 1	
						BA Brass			ARM2 PAK 1-1/16" ArmrShield 2	
						Other - specify below:			BRG1 PAK 1-3/16" BRG 1	
									ARM3 PAK 1-5/16" ArmrShield 3	
									Other PAK - specify below:	

Mullions

	2	3	4	5
A	A2 Min: 6" x 6"	A3 Min: 6" x 7"	A4 Min: 6" x 9"	A5 Min: 6" x 11"
B	B2 Min: 6" x 6"	B3 Min: 6" x 7"	B4 Min: 6" x 9"	B5 Min: 6" x 11"
C	--	C3 Min: 7" x 7"	C4 Min: 7" x 9"	C5 Min: 7" x 11"

MULLION OPTIONS

1" x 5/8" Standard Mullion
1/2" x 1/2" Optional Size
1/2" x 3/4" Optional Size

Min. Lite Size for Mullions varies with columns and rows, see chart.

*Not needed for PAKS

It is the responsibility of the customer to communicate specifications and product performance requirements that are needed for their application. This document is intended to convey potential product configurations and offerings. It is not to be used to imply or represent a specification or rating, of finished products shipped. Detailed, specific submittals can be created upon request. It is the responsibility of the customer to specify product accordingly to comply with local laws, codes, and ordinances.